

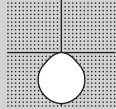
FLEX-LITE™

DIRECT

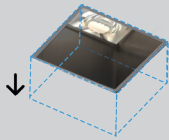


PERFORMANCE

- Up to 70lm/W efficiency
- Compatible with FleX-LITE
- CRI > 90
- Recessed

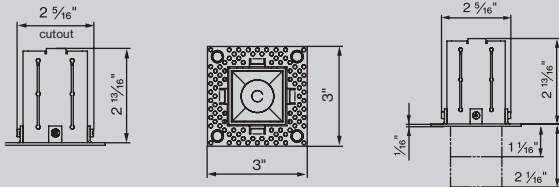


DIAGRAM

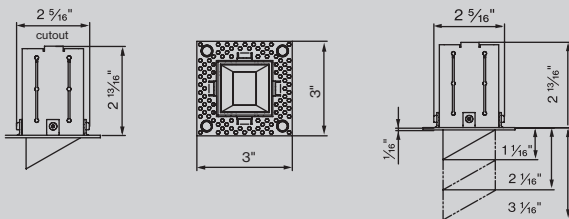


DIMENSIONS

Spot



Wallwash

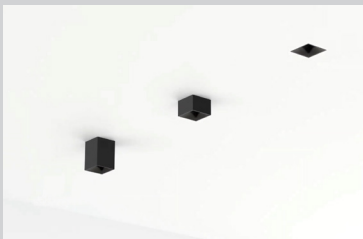


CONFIGURATIONS

Various combinations



[link to video](#)



Specification/Instructions

Use the drop downs to select each cells attribute.

1. Select mounting type, housing color, color temperature, and cell color
2. Select Dim config for cell formation
3. Cell attribute will auto fill depending on selection made for each cell.

Mounting

Housing Color

Color temp

Cell Color

Cell 1

Lens

DIM Config.

NOTES

Dim Config.

Attributes Key

Use the housing and cell attributes key.

Dim Config.

Housing Attributes Key		Cell Attributes Key	
A RANGE	FLEXLITE F L E X L	A CELL TRIM COLOR	Black Gloss B G Black Matte B M Chrome C H White Gloss W G White Matte W M
B PATTERN	Single 1x1 S N 1 x 1	C CELL LENS	Spot 14 deg S P Medium 24 deg M D Flood 36 deg F L Wide 60 deg W I Wall Wash W W Blind Cover B C
C MOUNTING	Recessed Trimless R T L	D CELL COLOR TEMPERATURE	2700K CRI 90 2 7 3000K CRI 90 3 0 3500K CRI 90 3 5 4000K CRI 90 4 0
D HOUSING COLOR	White W H Black B L Gray G R <small>*RTL in white only</small>	E CELL DIMMING CHANNEL	Channel1 C 1
E DIMMING CHANNEL	single channel C 1		

Housing attributes **F L E X L - S Q - R T L - X X - X X**

Cell attributes **W G W W 2 7 C 1**

BASO
basolighting.com
xalusa.com

FLEX-LITE™

DIRECT

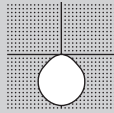


5 YEAR
limited
led warranty

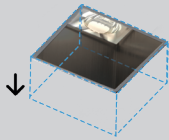


PERFORMANCE

- Up to 70lm/W efficiency
- CRI > 90
- Recessed

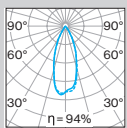


DIAGRAM



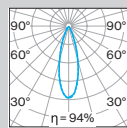
LIGHT DISTRIBUTIONS

SPOT LENS 14°



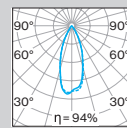
C0 C180
C90 C270
LED array 2.3W / 245lm
106 lm/W

MEDIUM LENS 30°



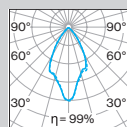
C0 C180
C90 C270
LED array 2.3W / 225lm
98 lm/W

FLOOD LENS 36°



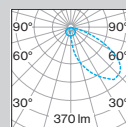
C0 C180
C90 C270
LED array 2.3W / 235lm
101 lm/W

WIDE LENS 57°



C0 C180
C90 C270
LED array 2.3W / 215lm
93 lm/W

WALL WASH



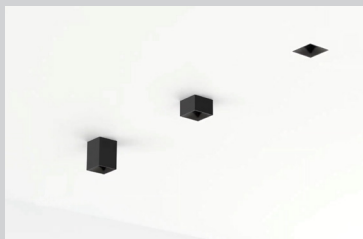
C0 C180
C90 C270
LED array 4.9 W / 365lm
75 lm/W

CONFIGURATIONS

Various combinations



[link to video](#)



MOUNTING

Recessed Trimless

HOUSING COLOR

COLOR TEMP

CELL COLOR

DIM CONFIG.

A

1

Cell 1

LENS

DIM CONFIG.

NOTES

Housing
attributes

FLEXL-SQ-RTL- - - -
A B C D E

Cell
attributes

Cell 1
A B C D

BASO

basolighting.com

xalusa.com

Housing Configuration Code

FLEXLS101 00

Cell Configuration Code

XCS1 00 0

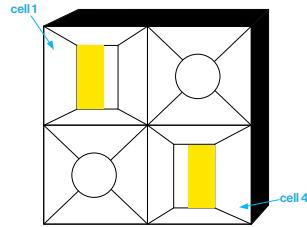
Power supply

1. LINE CONTROL

X-LITE 0-10V POWER SUPPLIES

	SPOT CELLS	WALLWASH CELLS
1 cell	XLPS - 12 - SP - 001	XLPS - 12 - WW - 001
2 cell	XLPS - 12 - SP - 002	XLPS - 12 - WW - 002
3 cell	XLPS - 12 - SP - 003	XLPS - 12 - WW - 003
4 cell	XLPS - 12 - SP - 004	XLPS - 12 - WW - 004
5 cell	XLPS - 12 - SP - 005	XLPS - 12 - WW - 005
6 cell	XLPS - 12 - SP - 006	XLPS - 12 - WW - 006
7 cell	XLPS - 12 - SP - 007	XLPS - 12 - WW - 007
8 cell	XLPS - 12 - SP - 008	XLPS - 12 - WW - 008
9 cell	XLPS - 12 - SP - 009	XLPS - 12 - WW - 009

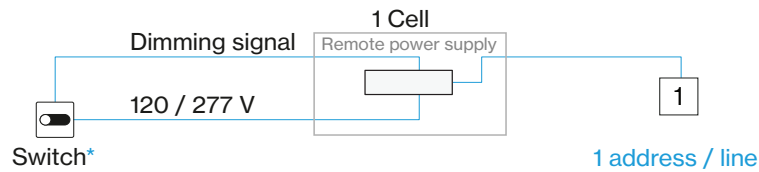
*X-Lite configurations with both Spot and Wallwash cells will need two separate remote drivers



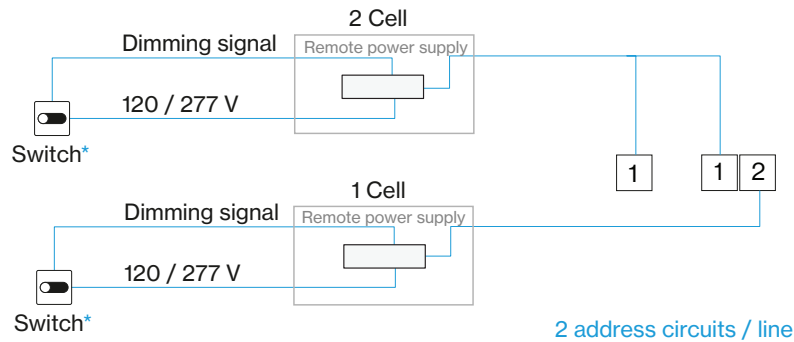
Wiring diagrams

1. LINE CONTROL

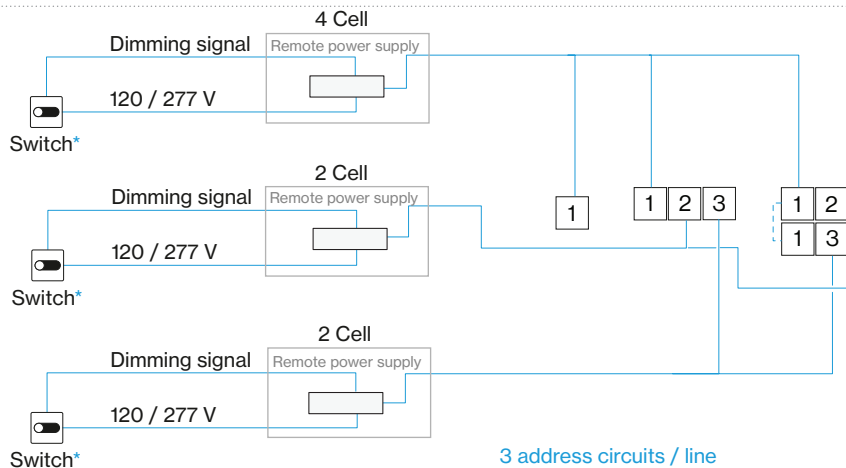
0-10V DIM Single Circuit



0-10V DIM Dual Circuit

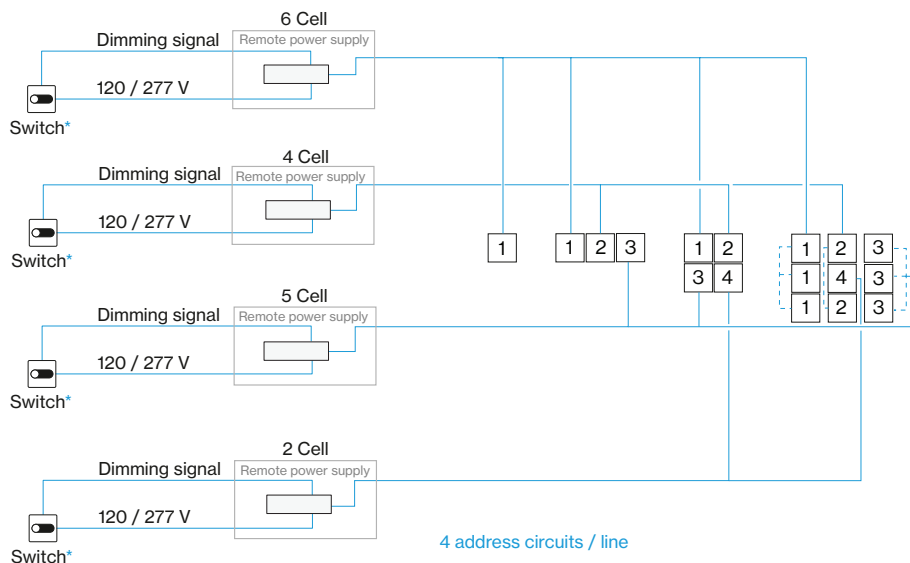


0-10V DIM Tri Circuit



Wiring diagrams continued

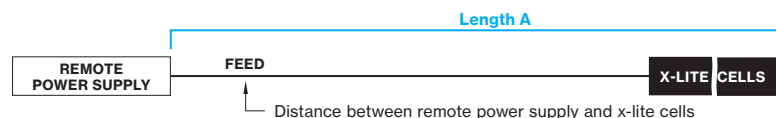
0-10V DIM Quad Circuit



Length range per power supply

POWER SUPPLY

Length A max 150'



BASO
basolighting.com
xalusa.com

Mounting instructions

Get access to the mounting instructions faster by scanning the QR code.

www.xalusa.com/resources/mounting-instructions

